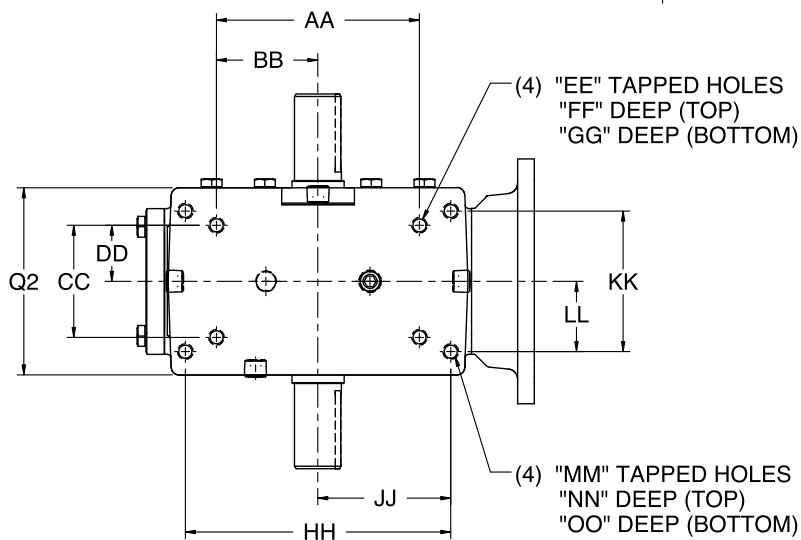
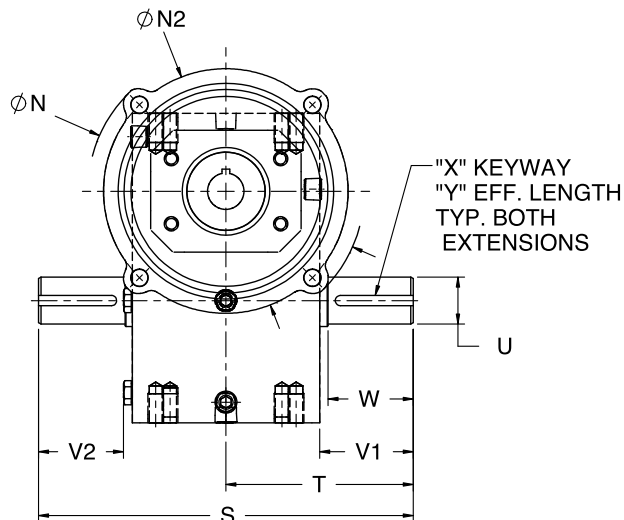
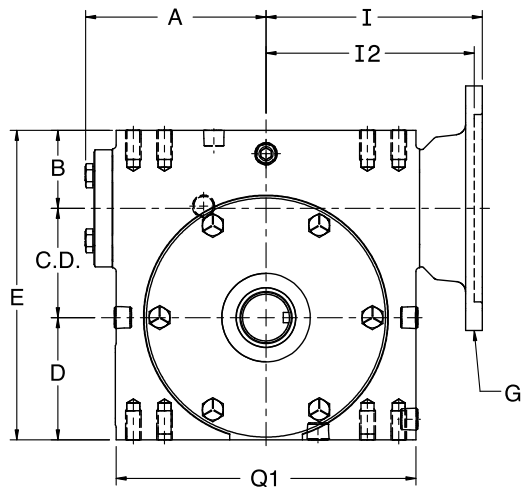


Hub City Worm Gear Drives

Single Reduction Models

134, 154, 184, 214, 244, 264, 304, 324, 384, 424, 454, 524, GW604



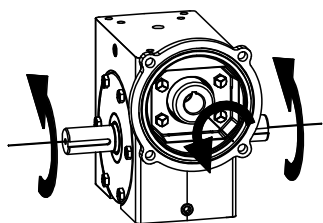
SPECIAL, METRIC AND SAE HYDRAULIC INPUT FLANGES AVAILABLE. CONSULT FACTORY FOR COMPLETE SPECIFICATIONS.

REFER TO FAN DETAIL ON NEXT PAGE FOR GW MODELS.

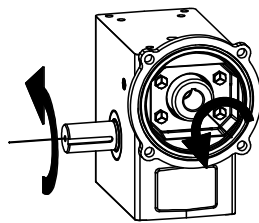
FOR LUBRICATION AND INSTALLATION INSTRUCTIONS - REFER TO SECTION S

DIMENSIONS SHOWN ARE FOR REFERENCE ONLY. DOWNLOAD AVAILABLE CAD MODELS AT: WWW.HUBCITYINC.COM

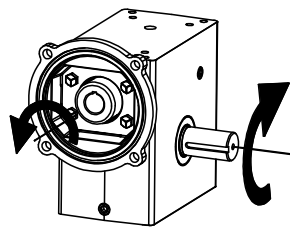
Standard Styles Available



STYLE "A"



STYLE "B"



STYLE "C"

CONSULT FACTORY FOR VERTICAL SHAFT LUBRICATION RECOMMENDATIONS. INPUT SHAFT CAN BE ROTATED IN EITHER DIRECTION.

Hub City Worm Gear Drives

Single Reduction Models

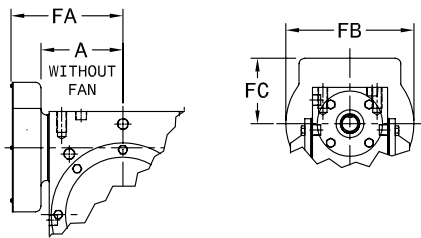
134, 154, 184, 214, 244, 264, 304, 324, 384, 424, 454, 524, GW604

| MODEL | C.D. | A | B | D | E | Q1 | Q2 |
|-------|-------|------|-------|-------|--------|-------|------|
| 134 | 1.334 | 2.61 | 1.186 | 1.562 | 4.082 | 4.12 | 3.12 |
| 154 | 1.541 | 3.14 | 1.928 | 1.906 | 5.375 | 4.88 | 3.44 |
| 184 | 1.751 | 3.23 | 1.374 | 1.875 | 5.000 | 5.16 | 3.44 |
| 214 | 2.064 | 3.61 | 1.500 | 2.437 | 6.000 | 5.88 | 4.12 |
| 244 | 2.376 | 3.77 | 2.061 | 2.500 | 6.937 | 6.12 | 4.06 |
| 264 | 2.626 | 4.33 | 1.874 | 2.938 | 7.438 | 7.20 | 4.50 |
| 304 | 3.001 | 4.84 | 2.624 | 3.250 | 8.875 | 8.12 | 5.25 |
| 324 | 3.251 | 5.28 | 2.124 | 3.250 | 8.625 | 8.62 | 5.20 |
| 384 | 3.751 | 4.90 | 2.374 | 3.937 | 10.062 | 9.60 | 5.62 |
| 424 | 4.251 | 6.10 | 2.686 | 4.438 | 11.375 | 10.25 | 6.13 |
| 454 | 4.501 | 5.23 | 2.499 | 4.625 | 11.625 | 9.25 | 4.63 |
| 524 | 5.168 | 5.98 | 2.624 | 5.375 | 13.167 | 10.75 | 5.06 |
| GW604 | 6.000 | N/A | 4.000 | 6.500 | 16.500 | 14.25 | 8.13 |

| MODEL | S | T | U | V1 | V2 | W | X | Y |
|---------|-------|-------|--------------|------|------|------|----------------|------|
| 134 | 6.50 | 3.25 | .625/.624 | 1.69 | 1.53 | 1.60 | 3/16 X 3/32 | 1.38 |
| 154 | 8.62 | 4.31 | .750/.7485 | 2.11 | 1.90 | 2.08 | 3/16 X 3/32 | 1.51 |
| 184 | 7.00 | 3.50 | .750/.749 | 1.78 | 1.57 | 1.54 | 3/16 X 3/32 | 1.41 |
| 214 | 8.50 | 4.25 | .875/.874 | 2.19 | 1.98 | 1.95 | 3/16 X 3/32 | 1.83 |
| 244 | 10.28 | 5.14 | 1.125/1.1235 | 2.66 | 2.44 | 2.62 | 1/4 x 1/8 | 1.76 |
| 264 | 9.00 | 4.50 | 1.250/1.249 | 2.25 | 2.04 | N/A | 1/4 x 1/8 | 1.85 |
| 304 | 13.50 | 6.75 | 1.250/1.2485 | 3.60 | 3.36 | 3.57 | 1/4 X 1/8 | 2.26 |
| 324 | 10.88 | 5.44 | 1.375/1.374 | 2.84 | 2.62 | 2.75 | 5/16 X 5/32 | 2.31 |
| 384 | 13.38 | 6.69 | 1.500/1.499 | 3.88 | N/A | N/A | 3/8 X 3/16 | 3.16 |
| 424 | 16.24 | 8.12 | 1.875/1.8735 | 4.50 | 4.21 | 4.47 | 1/2 X 1/4 | 3.06 |
| 454 ** | 14.50 | 7.25 | 1.625/1.624 | 4.18 | N/A | 3.90 | 3/8 X 3/16 | 3.28 |
| 524 *** | 15.62 | 7.81 | 1.750/1.749 | 4.47 | N/A | 4.17 | 3/8 X 3/16 | 3.50 |
| GW604 | 20.00 | 10.00 | 2.500 | 4.65 | 4.65 | N/A | 5/8 X 5/16 P&W | 4.00 |

** ALSO AVAILABLE WITH 1.750/1.749 (U) DIAMETER OUTPUT SHAFT. CONSULT FACTORY.
 *** ALSO AVAILABLE WITH 2.000/1.999 (U) DIAMETER OUTPUT SHAFT. CONSULT FACTORY.

Fan Detail for Model GW604



| MODEL | A | FA | FB | FC |
|-------|-----|-------|------|------|
| GW604 | N/A | 11.13 | 9.50 | 4.00 |

ALL GW MODELS ARE FAN COOLED.

| MODEL | G | I | I2 | N | N2 | | |
|-------|-------|-------|------|------|------|------|------|
| 134 | 48CZ | 3.46 | N/A | 4.36 | 3.87 | | |
| | 56C | | | 6.63 | 6.50 | | |
| 154 | 48CZ | 3.99 | N/A | 4.36 | 3.87 | | |
| | 56C | | | 6.63 | 6.50 | | |
| | 143TC | | | | | | |
| 184 | 48CZ | 4.09 | N/A | 4.36 | 3.87 | | |
| | 56C | | | 6.63 | 6.50 | | |
| | 143TC | | | | | | |
| 214 | 48CZ | 4.46 | N/A | 4.36 | 3.87 | | |
| | 56C | | | 6.63 | 6.50 | | |
| | 143TC | | | | | | |
| 244 | 56C | 4.63 | N/A | 6.50 | 6.50 | | |
| | 143TC | | | | | | |
| | 182TC | | | N/A | 5.06 | 9.00 | 9.00 |
| 264 | 56C | 5.19 | N/A | 6.50 | 6.50 | | |
| | 143TC | | | | | | |
| | 182TC | | | N/A | 5.81 | 9.00 | 9.00 |
| 304 | 56C | 5.95 | N/A | 6.50 | 6.50 | | |
| | 143TC | | | | | | |
| | 182TC | | | N/A | 6.15 | 9.00 | 9.00 |
| | 213TC | | | | 6.56 | | |
| 324 | 56C | 6.14 | N/A | 6.50 | 6.50 | | |
| | 143TC | | | | | | |
| | 182TC | | | N/A | 6.53 | 9.00 | 9.00 |
| | 213TC | | | | 7.09 | | |
| 384 | 56C | 6.50 | N/A | 6.50 | 6.50 | | |
| | 143TC | | | | | | |
| | 182TC | | | N/A | 6.88 | 9.00 | 9.00 |
| 424 | 56C | 6.45 | N/A | 6.50 | 6.50 | | |
| | 143TC | | | | | | |
| | 182TC | | | N/A | 7.21 | 9.00 | 9.00 |
| | 213TC | | | | | | |
| | 254TC | | | | 7.77 | | |
| 454 | 56C | 6.75 | N/A | 6.50 | 6.50 | | |
| | 143TC | | | | | | |
| | 182TC | | | N/A | 6.75 | 9.00 | 9.00 |
| | 213TC | | | | | | |
| 524 * | 182TC | N/A | 7.50 | 9.00 | 9.00 | | |
| | 213TC | | | | | | |
| GW604 | 56C | 10.45 | N/A | 6.50 | 6.50 | | |
| | 143TC | | | | | | |
| | 182TC | | | N/A | 9.33 | 9.00 | 9.00 |
| | 213TC | | | | | | |
| | 254TC | | | | 9.94 | | |

* 56C & 143TC FLANGES AVAILABLE AS MODIFIED STANDARDS

| MODEL | AA | BB | CC | DD | EE | FF | GG | HH | JJ | KK | LL | MM | NN | OO | Wt. Lbs. |
|-------|--------|-------|-------|-------|----------|------|------|-------|-------|-------|-------|----------|------|------|----------|
| 134 | 2.250 | 1.125 | 1.625 | 0.813 | 1/4 UNC | 0.50 | 0.50 | 3.250 | 1.625 | 2.000 | 1.000 | 5/16 UNC | 0.50 | 0.50 | 12 |
| 154 | 4.188 | 2.094 | 2.750 | 1.375 | 5/16 UNC | 0.63 | 0.63 | N/A | N/A | N/A | N/A | N/A | N/A | N/A | 16 |
| 184 | 3.125 | 1.563 | 1.625 | 0.813 | 1/4 UNC | 0.50 | 0.50 | 4.188 | 2.094 | 2.750 | 1.375 | 5/16 UNC | 0.63 | 0.63 | 16 |
| 214 | 4.000 | 2.000 | 2.000 | 1.000 | 3/8 UNC | 0.50 | 0.70 | 5.000 | 2.500 | 2.875 | 1.438 | 3/8 UNC | 0.70 | 0.70 | 25 |
| 244 | 5.000 | 2.500 | 2.875 | 1.438 | 3/8 UNC | 0.69 | 0.69 | N/A | N/A | N/A | N/A | N/A | N/A | N/A | 38 |
| 264 | 4.875 | 2.438 | 2.688 | 1.344 | 3/8 UNC | 0.70 | 0.70 | 6.375 | 3.188 | 3.375 | 1.688 | 3/8 UNC | 0.70 | 0.70 | 38 |
| 304 | 7.000 | 3.500 | 4.000 | 2.000 | 7/16 UNC | 0.88 | 0.88 | N/A | N/A | N/A | N/A | N/A | N/A | N/A | 61 |
| 324 | 6.250 | 3.125 | 2.750 | 1.375 | 1/2 UNC | 0.75 | 0.75 | 7.500 | 3.750 | 4.000 | 2.000 | 7/16 UNC | 0.88 | 0.88 | 67 |
| 384 | 6.875 | 3.438 | 3.000 | 1.500 | 1/2 UNC | 0.94 | 1.00 | 8.500 | 4.250 | 4.750 | 2.375 | 1/2 UNC | 1.00 | 1.00 | 90 |
| 424 | 8.500 | 4.250 | 5.000 | 2.500 | 5/8 UNC | 1.00 | 1.00 | N/A | N/A | N/A | N/A | N/A | N/A | N/A | 112 |
| 454 | 8.125 | 4.063 | 3.250 | 1.625 | 5/8 UNC | 0.88 | 1.13 | N/A | N/A | N/A | N/A | N/A | N/A | N/A | 112 |
| 524 | 9.500 | 4.750 | 3.750 | 1.875 | 5/8 UNC | 1.00 | 1.25 | N/A | N/A | N/A | N/A | N/A | N/A | N/A | 138 |
| GW604 | 12.750 | 6.375 | 6.380 | 3.190 | 5/8 UNC | 1.00 | 1.00 | N/A | N/A | N/A | N/A | N/A | N/A | N/A | 324 |